

SECTION 102113 - TOILET COMPARTMENTS

PART 1 - GENERAL

1.1 RELATED DOCUMENTS

- A. Drawings and general provisions of the Contract, including General and Supplementary Conditions and Division 01 Specification Sections, apply to this Section.

1.2 SUMMARY

- A. Section Includes:

- 1. Solid-polymer toilet compartments configured as toilet enclosures and urinal screens.

- B. Related Sections:

- 1. Section 055000 "Metal Fabrications" for supports that attach ceiling-hung compartments floor-and-ceiling-anchored compartments and post-to-ceiling screens to overhead structural system.
 - 2. Section 061035 "Miscellaneous Rough Carpentry" for blocking and overhead support of floor-and-ceiling-anchored compartments.
 - 3. Section 102800 "Toilet, Bath, and Laundry Accessories" for toilet tissue dispensers, grab bars, purse shelves, and similar accessories.

1.3 ACTION SUBMITTALS

- A. Product Data: For each type of product indicated. Include construction details, material descriptions, dimensions of individual components and profiles, and finishes.

- B. Shop Drawings: For toilet compartments. Include plans, elevations, sections, details, and attachments to other work.

- 1. Show locations of cutouts for compartment-mounted toilet accessories.
 - 2. Show locations of reinforcements for compartment-mounted grab bars.
 - 3. Show locations of centerlines of toilet fixtures.
 - 4. Show ceiling grid and overhead support or bracing locations.

- C. Samples for Initial Selection: For each type of unit indicated. Include Samples of hardware and accessories involving material and color selection.

- D. Samples for Verification: For the following products, in manufacturer's standard sizes unless otherwise indicated:

- 1. Each type of material, color, and finish required for units, prepared on 6-inch- (152-mm-) square Samples of same thickness and material indicated for Work.
 - 2. Each type of hardware and accessory.

1.4 INFORMATIONAL SUBMITTALS

- A. Product Certificates: For each type of toilet compartment, from manufacturer.

1.5 CLOSEOUT SUBMITTALS

- A. Maintenance Data: For toilet compartments to include in maintenance manuals.

1.6 QUALITY ASSURANCE

- A. Comply with requirements in GSA's CID-A-A-60003, "Partitions, Toilets, Complete."
- B. Surface-Burning Characteristics: As determined by testing identical products according to ASTM E 84, or another standard acceptable to authorities having jurisdiction, by a qualified testing agency. Identify products with appropriate markings of applicable testing agency.
 - 1. Flame-Spread Index: 25 or less.
 - 2. Smoke-Developed Index: 450 or less.
- C. Regulatory Requirements: Comply with applicable provisions in the U.S. Architectural & Transportation Barriers Compliance Board's "Americans with Disabilities Act (ADA) and Architectural Barriers Act (ABA) Accessibility Guidelines for Buildings and Facilities" and ICC/ANSI A117.1 for toilet compartments designated as accessible.

1.7 PROJECT CONDITIONS

- A. Field Measurements: Verify actual locations of toilet fixtures, walls, columns, ceilings, and other construction contiguous with toilet compartments by field measurements before fabrication.

PART 2 - PRODUCTS

2.1 MATERIALS

- A. Aluminum Castings: ASTM B 26/B 26M.
- B. Aluminum Extrusions: ASTM B 221 (ASTM B 221M).
- C. Steel Sheet: Commercial steel sheet for exposed applications; mill phosphatized and selected for smoothness.
 - 1. Electrolytically Zinc Coated: ASTM A 879/A 879M, 01Z (03G).
 - 2. Hot-Dip Galvanized: ASTM A 653/A 653M, either hot-dip galvanized or galvanized.
- D. Stainless-Steel Sheet: ASTM A 666, Type 304, stretcher-leveled standard of flatness.
- E. Stainless-Steel Castings: ASTM A 743/A 743M.

- F. Adhesives: Manufacturer's standard product that complies with the testing and product requirements of the California Department of Health Services' "Standard Practice for the Testing of Volatile Organic Emissions from Various Sources Using Small-Scale Environmental Chambers."

2.2 PHENOLIC-CORE UNITS

- A. Basis-of-Design Product: Subject to compliance with requirements, provide product indicated on Drawings or comparable product by one of the following:
 - 1. Accurate Partitions Corporation.
 - 2. American Sanitary Partition Corporation.
 - 3. Ampco, Inc.
 - 4. Bobrick Washroom Equipment, Inc.
 - 5. Bradley Corporation; Mills Partitions.
 - 6. Flush Metal Partition Corp.
 - 7. General Partitions Mfg. Corp.
 - 8. Global Steel Products Corp.
 - 9. Knickerbocker Partition Corporation.
 - 10. Metpar Corp.
 - 11. Partition Systems Incorporated of South Carolina.
 - 12. Rockville Partitions Incorporated.
 - 13. Sanymetal; a Crane Plumbing company.
 - 14. Shanahan's Limited.
 - 15. Tex-Lam Manufacturing, Inc.
 - 16. Weis-Robart Partitions, Inc.
- B. Toilet-Enclosure Style: Overhead braced.

2.3 SOLID-POLYMER UNITS

- A. Basis-of-Design Product: Subject to compliance with requirements, provide product indicated on Drawings or comparable product by one of the following:
 - 1. Accurate Partitions Corporation.
 - 2. Ampco, Inc.
 - 3. Bradley Corporation; Mills Partitions.
 - 4. Comtec Industries/Capitol Partitions.
 - 5. General Partitions Mfg. Corp.
 - 6. Global Steel Products Corp.
 - 7. Hadrian Manufacturing Inc.
 - 8. Knickerbocker Partition Corporation.
 - 9. Metpar Corp.
 - 10. Partition Systems Incorporated of South Carolina.
 - 11. Rockville Partitions Incorporated.
 - 12. Santana Products, Inc.
 - 13. Sanymetal; a Crane Plumbing company.
 - 14. Weis-Robart Partitions, Inc.

- B. Toilet-Enclosure Style: Overhead braced.
- C. Urinal-Screen Style: Wall hung.
- D. Door, Panel and Pilaster Construction: Solid, high-density polyethylene (HDPE) or polypropylene (PP) panel material, not less than 1 inch (25 mm) thick, seamless, with eased edges, no-sightline system, and with homogenous color and pattern throughout thickness of material.
 - 1. Integral Hinges: Configure doors and pilasters to receive integral hinges.
 - 2. Heat-Sink Strip: Manufacturer's standard continuous, stainless-steel strip fastened to exposed bottom edges of solid-polymer components to prevent burning.
 - 3. Color and Pattern: One color and pattern as selected by Architect from manufacturer's full range.
 - 4. Anit-graffiti finish.
- E. Pilaster Shoes and Sleeves (Caps): Manufacturer's standard design; stainless steel.
- F. Brackets (Fittings):
 - 1. Full-Height (Continuous) Type: Manufacturer's standard design; stainless steel.
 - a. Polymer Color and Pattern: Matching panel, Contrasting with panel, as indicated by manufacturer's designations, Contrasting with panel, as selected by Architect from manufacturer's full range.

2.4 ACCESSORIES

- A. Hardware and Accessories: Manufacturer's standard design, heavy-duty operating hardware and accessories.
 - 1. Material: Stainless steel.
 - 2. Hinges: Manufacturer's standard continuous, cam type that swings to a closed or partially open position.
 - 3. Latch and Keeper: Manufacturer's standard recessed latch unit designed for emergency access and with combination rubber-faced door strike and keeper. Provide units that comply with regulatory requirements for accessibility at compartments designated as accessible.
 - 4. Coat Hook: Manufacturer's standard combination hook and rubber-tipped bumper, sized to prevent in-swinging door from hitting compartment-mounted accessories.
 - 5. Door Bumper: Manufacturer's standard rubber-tipped bumper at out-swinging doors.
 - 6. Door Pull: Manufacturer's standard unit at out-swinging doors that complies with regulatory requirements for accessibility. Provide units on both sides of doors at compartments designated as accessible.
- B. Overhead Bracing: Manufacturer's standard continuous, extruded-aluminum head rail with antigrip profile and in manufacturer's standard finish.
- C. Anchorages and Fasteners: Manufacturer's standard exposed fasteners of stainless steel or chrome-plated steel or brass, finished to match the items they are securing, with theft-resistant-

type heads. Provide sex-type bolts for through-bolt applications. For concealed anchors, use stainless steel, hot-dip galvanized steel, or other rust-resistant, protective-coated steel.

2.5 FABRICATION

- A. Overhead-Braced Units: Provide manufacturer's standard corrosion-resistant supports, leveling mechanism, and anchors at pilasters to suit floor conditions. Provide shoes at pilasters to conceal supports and leveling mechanism.
- B. Door Size and Swings: Unless otherwise indicated, provide 24-inch- (610-mm-) wide, in-swinging doors for standard toilet compartments and 36-inch- (914-mm-) wide, out-swinging doors with a minimum 32-inch- (813-mm-) wide, clear opening for compartments designated as accessible.

PART 3 - EXECUTION

3.1 INSTALLATION

- A. General: Comply with manufacturer's written installation instructions. Install units rigid, straight, level, and plumb. Secure units in position with manufacturer's recommended anchoring devices.
 - 1. Maximum Clearances:
 - a. Pilasters and Panels: 1/2 inch (13 mm).
 - b. Panels and Walls: 1 inch (25 mm).
 - 2. Stirrup Brackets: Secure panels to walls and to pilasters with no fewer than three brackets attached at midpoint and near top and bottom of panel.
 - a. Locate wall brackets so holes for wall anchors occur in masonry or tile joints.
 - b. Align brackets at pilasters with brackets at walls.
- B. Overhead-Braced Units: Secure pilasters to floor and level, plumb, and tighten. Set pilasters with anchors penetrating not less than 1-3/4 inches (44 mm) into structural floor unless otherwise indicated in manufacturer's written instructions. Secure continuous head rail to each pilaster with no fewer than two fasteners. Hang doors to align tops of doors with tops of panels, and adjust so tops of doors are parallel with overhead brace when doors are in closed position.
- C. Urinal Screens: Attach with anchoring devices to suit supporting structure. Set units level and plumb, rigid, and secured to resist lateral impact.

3.2 ADJUSTING

- A. Hardware Adjustment: Adjust and lubricate hardware according to hardware manufacturer's written instructions for proper operation. Set hinges on in-swinging doors to hold doors open

approximately 30 degrees from closed position when unlatched. Set hinges on out-swinging doors to return doors to fully closed position.

END OF SECTION 102113

HOUSTON COMMUNITY COLLEGE SOUTHEAST CAMPUS GARAGE CORROSION LAB BUILD OUT

6960 RUSTIC AVENUE, HOUSTON, TEXAS 77087

APRIL 22, 2013

HOUSTON COMMUNITY COLLEGE SYSTEM

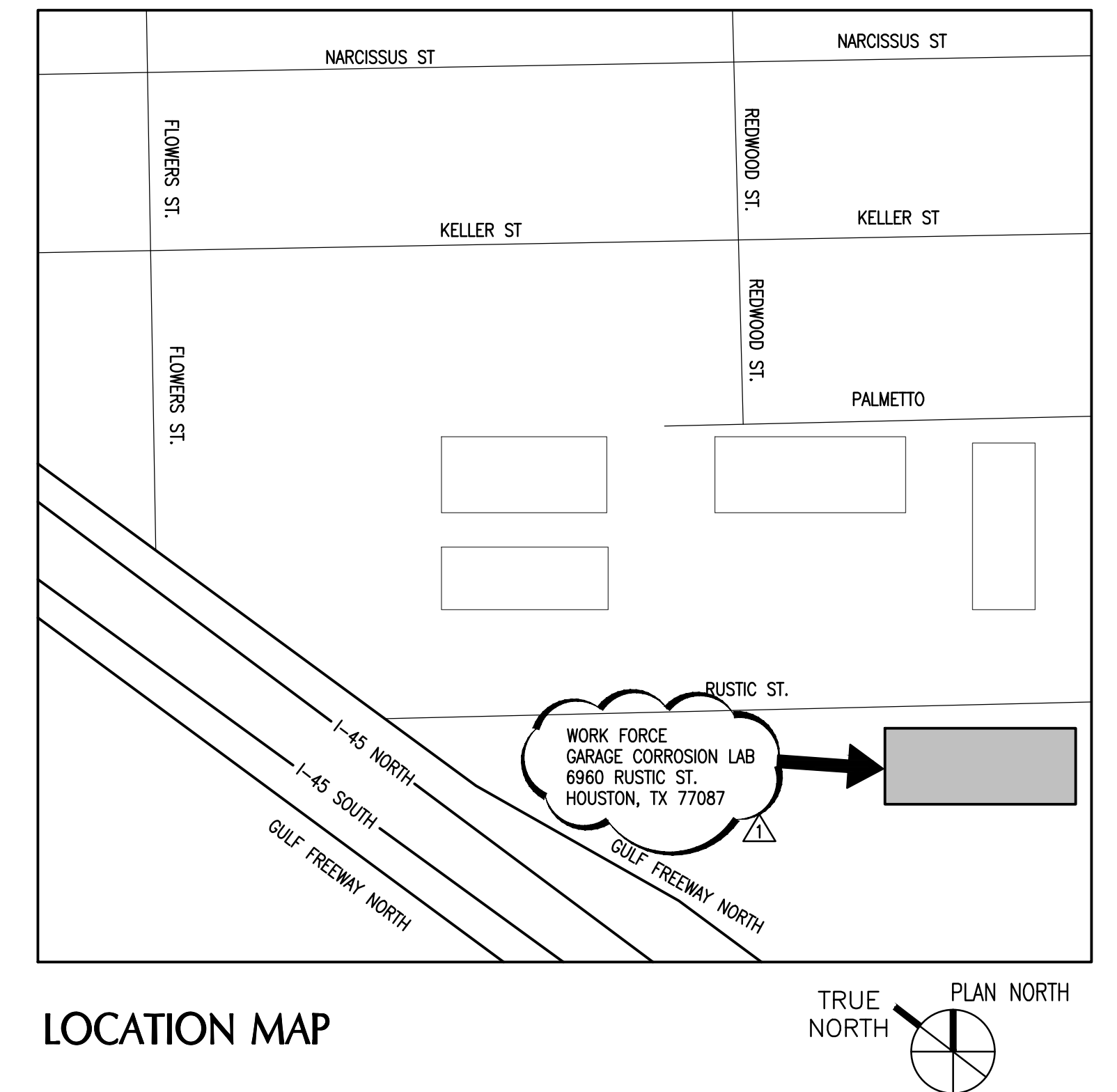
BOARD OF TRUSTEES

Bruce A Austin	- Chair, District II	Herlinda Garcia	- District III
Sandie Mullins	- Vice Chair, District VI	Carroll G. Robinson	- District IV
Eva Loredo	- Secretary, District VIII	Leila Feldman	- District V
Yolanda Navarro Flores	- District I	Neeta Sane	- District VII
		Christopher W. Oliver	- District IX

Dr. Renee Byas, INTERIM CHANCELLOR
Dr. Irene Porcarello, PRESIDENT- SOUTHEAST COLLEGE

SMITH & COMPANY
ARCHITECTS

1500 MCGOWEN SUITE 150, HOUSTON, TEXAS 77004
(713) 524-4202 FAX (713) 524-4071



SMITH & COMPANY ARCHITECTS, INC.
1500 MCGOWEN SUITE 150, HOUSTON, TEXAS 77004
(713) 524-4202 FAX (713) 524-4071

ARCHITECTS

INFRASTRUCTURE ASSOCIATES
6117 RICHMOND AVE. SUITE 200 HOUSTON, TEXAS 77057
(713) 417-1400 FAX (713) 622-0557

MECHANICAL, ELECTRICAL
PLUMBING ENGINEERS

LEVINSON ALCOSER ASSOCIATES, L.P.
1177 WEST LOOP SOUTH, SUITE 900, HOUSTON, TEXAS 77027
(713) 787-0000 FAX (713) 850-8250

LABORATORY
CONSULTANTS



ASA DALLY
9800 RICHMOND AVE. SUITE 460, HOUSTON, TEXAS 77042
(713) 337-8881

STRUCTURAL ENGINEERS

LIST OF DRAWINGS

COVER SHEET AND INDEX OF DRAWINGS
A0.01 SYMBOLS, TABLE OF CONTENTS, & GENERAL INFORMATION
A0.02 CODE COMPLIANCE & GENERAL NOTES
A0.03 ADA ARCHITECTURAL BARRIER REMOVAL AND COMPLIANCE
A0.04 ADA ARCHITECTURAL BARRIER REMOVAL AND COMPLIANCE
A0.05 LIFE SAFETY / EGRESS PLAN
A0.06 CONSTRUCTION STAGING AND COORDINATION

STRUCTURAL DRAWINGS

S2.01 FOUNDATION PLAN
S3.01 FOUNDATION DETAILS
S4.01 REINFORCED CONCRETE SLAB SCHEDULE

ARCHITECTURAL DRAWINGS

EX1.0 EXISTING SURVEY
A1.00 EXISTING SITE PLAN & PARKING REQUIREMENTS
A2.00 FLOOR PLAN
A2.01 FINISH FLOOR PLAN
A2.20 ENLARGED PLANS
A2.30 REFLECTED CEILING PLAN
A3.00 DOOR AND FRAME TYPES
A3.01 DOOR DETAILS
A3.02 PARTITION TYPES
A3.03 MATERIAL AND FINISH SCHEDULE

A4.00 INTERIOR ELEVATIONS
A4.01 SCHEDULES, LEGENDS & NOTES
A4.02 LAB CASEWORK ELEVATIONS
A4.03 LAB CASEWORK ELEVATIONS
A4.04 LAB CASEWORK ELEVATIONS
A4.05 LAB CASEWORK ELEVATIONS
A4.20 LAB CASEWORK ELEVATIONS

MECHANICAL DRAWINGS

M1.01 NOTES AND LEGENDS
M1.02 SCHEDULES
M2.01 FLOOR PLAN - LAB
M2.02 FLOOR PLAN - CLASSROOM
M2.03 ENLARGED FLOOR PLAN
M2.04 ENLARGED FLOOR PLAN - EXHAUST RISER
M3.01 AIR FLOW DIAGRAM
M4.01 DETAILS
M4.02 DETAILS

ELECTRICAL DRAWINGS

E0.01 SCHEDULES, NOTES AND LEGEND
E0.02 SPECIFICATIONS AND NOTES
E1.00 ONE LINE DIAGRAM
E1.10 PANEL SCHEDULES
E2.01 FLOOR PLAN - POWER
E2.02 FLOOR PLAN - LAB POWER
E3.01 FLOOR PLAN - LIGHTING
E4.01 FLOOR PLAN - SPECIAL SYSTEMS
E5.00 DETAILS
E5.01 DETAILS

PLUMBING DRAWINGS

P1.01 SCHEDULES AND NOTES
P1.02 SCHEDULES, NOTES AND LEGENDS
P2.00 OVERALL FLOOR PLAN
P2.01 ENLARGED FLOOR PLAN - SANITARY
P2.02 ENLARGED FLOOR PLAN - SANITARY
P3.01 ENLARGED FLOOR PLAN - DOMESTIC
P3.02 ENLARGED FLOOR PLAN - DOMESTIC
P4.01 ENLARGED FLOOR PLAN - LAB GASES
P4.02 ENLARGED FLOOR PLAN - LAB GASES
P5.01 RISER DIAGRAMS
P6.01 DETAILS
P6.02 DETAILS

FIRE PROTECTION DRAWING

FP1.01 FIRE PROTECTION SYSTEM

SECURITY DRAWING

SP1.01 SECURITY & CCTV FLOOR PLAN LEVEL 1

ADDENDUM NO. 2

DATE: May 16th 2013
PROJECT: Garage Corrosion Laboratory Buildout
LOCATION: 6815 Rustic Ave. Houston, Texas 77087
PROJECT NO.
DISTRIBUTION:
DELIVERED VIA:
NO. PAGES: 2
PREPARED BY: Smith & Company Architects, Inc



05/16/2013

This addendum forms a part of the Specifications for the Garage Corrosion Laboratory Buildout for Houston Community College, documents posted on April 22, 2013 for the subject project and modifies/add to them as noted below.

Please Note that Attachment 2, Project No. RFCSP 13-27; Schedule Of Items and Prices for Garage Shell Space Build Out has been revised to include a Line Item 007 cost for SECURITY ALLOWANCE. This information will be loaded on HCC's website under Project No. RFCSP 13-27.

CHANGES TO PROJECT MANUAL

SPECIFICATIONS

1. Section 102113 TOILET COMPARTMENTS, dated April 22, 2013 replace the section with the attached section, dated May 16, 2013.

CHANGES TO DRAWINGS

1. Replace Sheet A000-Cover & Sheet Index of Drawings, Dated April 22, 2013, Replace with attached Sheet A000-Cover & Sheet Index of Drawings, Dated May 16th, 2013.
2. Sheet A2.20-Enlarged Floor plans- add and install the following Chemical Storage cabinets, Qty 1 Cabinet, in Wet Lab 114. (Location in room to be determined).
 - Mott Manufacturing (or approved equal)
 - Vented Solvent Storage Unit – Model No. 6453160 -36” X 54”
 - With self closing / latching doors
 - With vent ports on cabinet side(s)

3. Sheet A2.20-Enlarged Floor plans- add and install the following Chemical Storage cabinets, Qty 1 Cabinet, in Clean Lab 117. (Location in room to be determined).

- Mott Manufacturing (or approved equal)
- Vented Solvent Storage Unit – Model No. 6453160 -36” X 54”
- With self closing / latching doors
- With vent ports on cabinet side(s)

END OF ADDENDUM NO. 2

SECTION 102113 - TOILET COMPARTMENTS

PART 1 - GENERAL

1.1 RELATED DOCUMENTS

- A. Drawings and general provisions of the Contract, including General and Supplementary Conditions and Division 01 Specification Sections, apply to this Section.

1.2 SUMMARY

- A. Section Includes:

- 1. Solid-polymer toilet compartments configured as toilet enclosures and urinal screens.

- B. Related Sections:

- 1. Section 055000 "Metal Fabrications" for supports that attach ceiling-hung compartments floor-and-ceiling-anchored compartments and post-to-ceiling screens to overhead structural system.
 - 2. Section 061035 "Miscellaneous Rough Carpentry" for blocking and overhead support of floor-and-ceiling-anchored compartments.
 - 3. Section 102800 "Toilet, Bath, and Laundry Accessories" for toilet tissue dispensers, grab bars, purse shelves, and similar accessories.

1.3 ACTION SUBMITTALS

- A. Product Data: For each type of product indicated. Include construction details, material descriptions, dimensions of individual components and profiles, and finishes.

- B. Shop Drawings: For toilet compartments. Include plans, elevations, sections, details, and attachments to other work.

- 1. Show locations of cutouts for compartment-mounted toilet accessories.
 - 2. Show locations of reinforcements for compartment-mounted grab bars.
 - 3. Show locations of centerlines of toilet fixtures.
 - 4. Show ceiling grid and overhead support or bracing locations.

- C. Samples for Initial Selection: For each type of unit indicated. Include Samples of hardware and accessories involving material and color selection.

- D. Samples for Verification: For the following products, in manufacturer's standard sizes unless otherwise indicated:

- 1. Each type of material, color, and finish required for units, prepared on 6-inch- (152-mm-) square Samples of same thickness and material indicated for Work.
 - 2. Each type of hardware and accessory.

1.4 INFORMATIONAL SUBMITTALS

- A. Product Certificates: For each type of toilet compartment, from manufacturer.

1.5 CLOSEOUT SUBMITTALS

- A. Maintenance Data: For toilet compartments to include in maintenance manuals.

1.6 QUALITY ASSURANCE

- A. Comply with requirements in GSA's CID-A-A-60003, "Partitions, Toilets, Complete."
- B. Surface-Burning Characteristics: As determined by testing identical products according to ASTM E 84, or another standard acceptable to authorities having jurisdiction, by a qualified testing agency. Identify products with appropriate markings of applicable testing agency.
 - 1. Flame-Spread Index: 25 or less.
 - 2. Smoke-Developed Index: 450 or less.
- C. Regulatory Requirements: Comply with applicable provisions in the U.S. Architectural & Transportation Barriers Compliance Board's "Americans with Disabilities Act (ADA) and Architectural Barriers Act (ABA) Accessibility Guidelines for Buildings and Facilities" and ICC/ANSI A117.1 for toilet compartments designated as accessible.

1.7 PROJECT CONDITIONS

- A. Field Measurements: Verify actual locations of toilet fixtures, walls, columns, ceilings, and other construction contiguous with toilet compartments by field measurements before fabrication.

PART 2 - PRODUCTS

2.1 MATERIALS

- A. Aluminum Castings: ASTM B 26/B 26M.
- B. Aluminum Extrusions: ASTM B 221 (ASTM B 221M).
- C. Steel Sheet: Commercial steel sheet for exposed applications; mill phosphatized and selected for smoothness.
 - 1. Electrolytically Zinc Coated: ASTM A 879/A 879M, 01Z (03G).
 - 2. Hot-Dip Galvanized: ASTM A 653/A 653M, either hot-dip galvanized or galvanized.
- D. Stainless-Steel Sheet: ASTM A 666, Type 304, stretcher-leveled standard of flatness.
- E. Stainless-Steel Castings: ASTM A 743/A 743M.

- F. Adhesives: Manufacturer's standard product that complies with the testing and product requirements of the California Department of Health Services' "Standard Practice for the Testing of Volatile Organic Emissions from Various Sources Using Small-Scale Environmental Chambers."

2.2 PHENOLIC-CORE UNITS

- A. Basis-of-Design Product: Subject to compliance with requirements, provide product indicated on Drawings or comparable product by one of the following:
 - 1. Accurate Partitions Corporation.
 - 2. American Sanitary Partition Corporation.
 - 3. Ampco, Inc.
 - 4. Bobrick Washroom Equipment, Inc.
 - 5. Bradley Corporation; Mills Partitions.
 - 6. Flush Metal Partition Corp.
 - 7. General Partitions Mfg. Corp.
 - 8. Global Steel Products Corp.
 - 9. Knickerbocker Partition Corporation.
 - 10. Metpar Corp.
 - 11. Partition Systems Incorporated of South Carolina.
 - 12. Rockville Partitions Incorporated.
 - 13. Sanymetal; a Crane Plumbing company.
 - 14. Shanahan's Limited.
 - 15. Tex-Lam Manufacturing, Inc.
 - 16. Weis-Robart Partitions, Inc.
- B. Toilet-Enclosure Style: Overhead braced.

2.3 SOLID-POLYMER UNITS

- A. Basis-of-Design Product: Subject to compliance with requirements, provide product indicated on Drawings or comparable product by one of the following:
 - 1. Accurate Partitions Corporation.
 - 2. Ampco, Inc.
 - 3. Bradley Corporation; Mills Partitions.
 - 4. Comtec Industries/Capitol Partitions.
 - 5. General Partitions Mfg. Corp.
 - 6. Global Steel Products Corp.
 - 7. Hadrian Manufacturing Inc.
 - 8. Knickerbocker Partition Corporation.
 - 9. Metpar Corp.
 - 10. Partition Systems Incorporated of South Carolina.
 - 11. Rockville Partitions Incorporated.
 - 12. Santana Products, Inc.
 - 13. Sanymetal; a Crane Plumbing company.
 - 14. Weis-Robart Partitions, Inc.

- B. Toilet-Enclosure Style: Overhead braced.
- C. Urinal-Screen Style: Wall hung.
- D. Door, Panel and Pilaster Construction: Solid, high-density polyethylene (HDPE) or polypropylene (PP) panel material, not less than 1 inch (25 mm) thick, seamless, with eased edges, no-sightline system, and with homogenous color and pattern throughout thickness of material.
 - 1. Integral Hinges: Configure doors and pilasters to receive integral hinges.
 - 2. Heat-Sink Strip: Manufacturer's standard continuous, stainless-steel strip fastened to exposed bottom edges of solid-polymer components to prevent burning.
 - 3. Color and Pattern: One color and pattern as selected by Architect from manufacturer's full range.
 - 4. Anit-graffiti finish.
- E. Pilaster Shoes and Sleeves (Caps): Manufacturer's standard design; stainless steel.
- F. Brackets (Fittings):
 - 1. Full-Height (Continuous) Type: Manufacturer's standard design; stainless steel.
 - a. Polymer Color and Pattern: Matching panel, Contrasting with panel, as indicated by manufacturer's designations, Contrasting with panel, as selected by Architect from manufacturer's full range.

2.4 ACCESSORIES

- A. Hardware and Accessories: Manufacturer's standard design, heavy-duty operating hardware and accessories.
 - 1. Material: Stainless steel.
 - 2. Hinges: Manufacturer's standard continuous, cam type that swings to a closed or partially open position.
 - 3. Latch and Keeper: Manufacturer's standard recessed latch unit designed for emergency access and with combination rubber-faced door strike and keeper. Provide units that comply with regulatory requirements for accessibility at compartments designated as accessible.
 - 4. Coat Hook: Manufacturer's standard combination hook and rubber-tipped bumper, sized to prevent in-swinging door from hitting compartment-mounted accessories.
 - 5. Door Bumper: Manufacturer's standard rubber-tipped bumper at out-swinging doors.
 - 6. Door Pull: Manufacturer's standard unit at out-swinging doors that complies with regulatory requirements for accessibility. Provide units on both sides of doors at compartments designated as accessible.
- B. Overhead Bracing: Manufacturer's standard continuous, extruded-aluminum head rail with antigrip profile and in manufacturer's standard finish.
- C. Anchorages and Fasteners: Manufacturer's standard exposed fasteners of stainless steel or chrome-plated steel or brass, finished to match the items they are securing, with theft-resistant-

type heads. Provide sex-type bolts for through-bolt applications. For concealed anchors, use stainless steel, hot-dip galvanized steel, or other rust-resistant, protective-coated steel.

2.5 FABRICATION

- A. Overhead-Braced Units: Provide manufacturer's standard corrosion-resistant supports, leveling mechanism, and anchors at pilasters to suit floor conditions. Provide shoes at pilasters to conceal supports and leveling mechanism.
- B. Door Size and Swings: Unless otherwise indicated, provide 24-inch- (610-mm-) wide, in-swinging doors for standard toilet compartments and 36-inch- (914-mm-) wide, out-swinging doors with a minimum 32-inch- (813-mm-) wide, clear opening for compartments designated as accessible.

PART 3 - EXECUTION

3.1 INSTALLATION

- A. General: Comply with manufacturer's written installation instructions. Install units rigid, straight, level, and plumb. Secure units in position with manufacturer's recommended anchoring devices.
 - 1. Maximum Clearances:
 - a. Pilasters and Panels: 1/2 inch (13 mm).
 - b. Panels and Walls: 1 inch (25 mm).
 - 2. Stirrup Brackets: Secure panels to walls and to pilasters with no fewer than three brackets attached at midpoint and near top and bottom of panel.
 - a. Locate wall brackets so holes for wall anchors occur in masonry or tile joints.
 - b. Align brackets at pilasters with brackets at walls.
- B. Overhead-Braced Units: Secure pilasters to floor and level, plumb, and tighten. Set pilasters with anchors penetrating not less than 1-3/4 inches (44 mm) into structural floor unless otherwise indicated in manufacturer's written instructions. Secure continuous head rail to each pilaster with no fewer than two fasteners. Hang doors to align tops of doors with tops of panels, and adjust so tops of doors are parallel with overhead brace when doors are in closed position.
- C. Urinal Screens: Attach with anchoring devices to suit supporting structure. Set units level and plumb, rigid, and secured to resist lateral impact.

3.2 ADJUSTING

- A. Hardware Adjustment: Adjust and lubricate hardware according to hardware manufacturer's written instructions for proper operation. Set hinges on in-swinging doors to hold doors open

approximately 30 degrees from closed position when unlatched. Set hinges on out-swinging doors to return doors to fully closed position.

END OF SECTION 102113

HOUSTON COMMUNITY COLLEGE SOUTHEAST CAMPUS WORK FORCE BUILDING LEVEL 3 RENOVATION

6815 RUSTIC AVENUE, HOUSTON, TEXAS 77087

APRIL 22, 2013

HOUSTON COMMUNITY COLLEGE SYSTEM

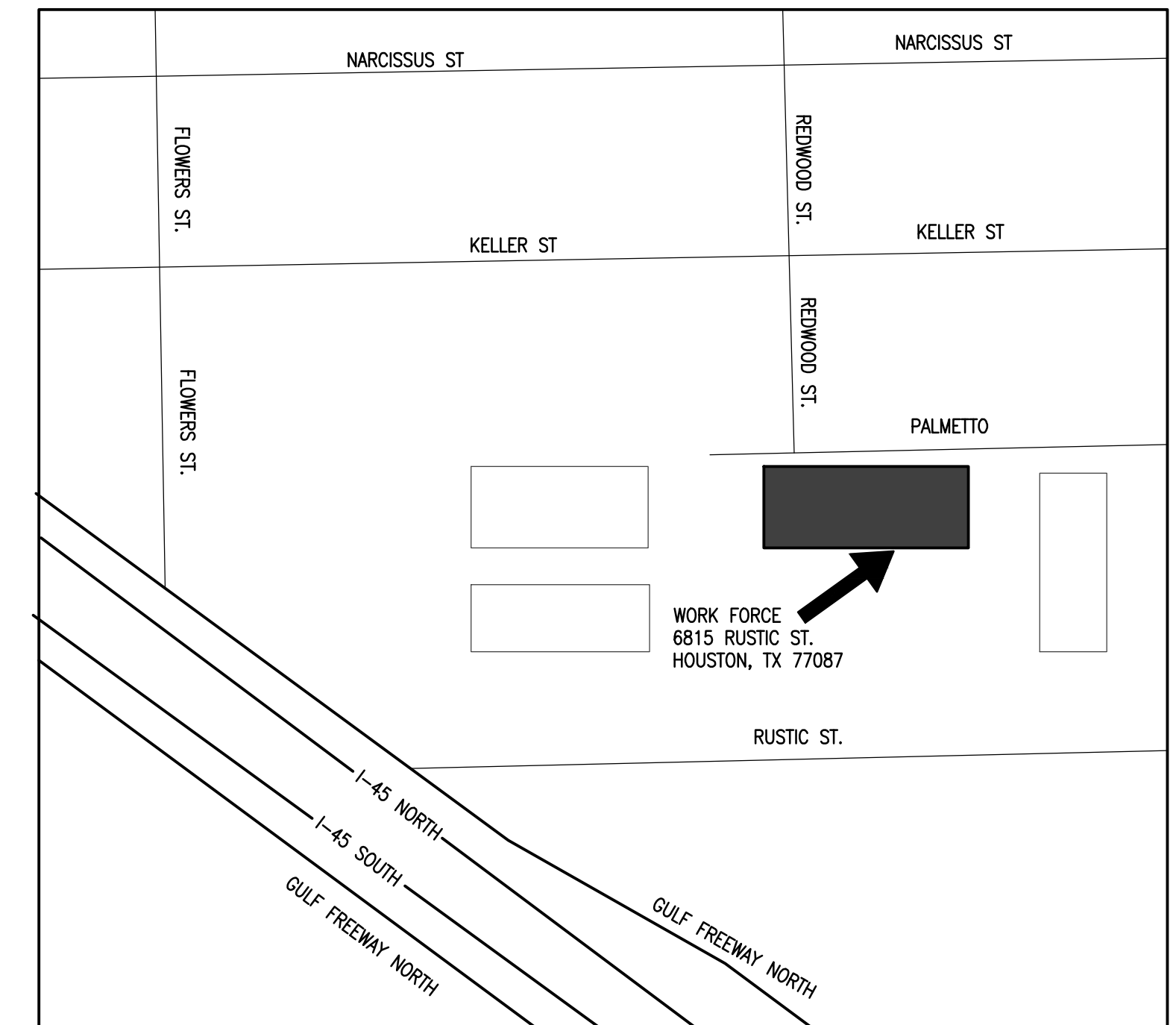
BOARD OF TRUSTEES

Bruce A Austin	- Chair, District II	Herlinda Garcia	- District III
Sandie Mullins	- Vice Chair, District VI	Carroll G. Robinson	- District IV
Eva Loredo	- Secretary, District VIII	Leila Feldman	- District V
Yolanda Navarro Flores	- District I	Neeta Sane	- District VII
		Christopher W. Oliver	- District IX

Dr. Renee Byas, INTERIM CHANCELLOR
Dr. Irene Porcarello, PRESIDENT- SOUTHEAST COLLEGE



1500 MCGOWEN SUITE 150. HOUSTON, TEXAS 77004
(713) 524-4202 FAX (713) 524-4071



LOCATION MAP

SMITH & COMPANY ARCHITECTS, INC.
1500 MCGOWEN SUITE 150. HOUSTON, TEXAS 77004
(713) 524-4202 FAX (713) 524-4071

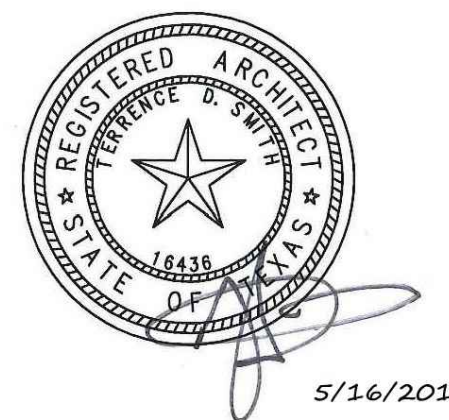
ARCHITECTS

DBR
9990 RICHMOND AVE. SOUTH BUILDING
SUITE 300 HOUSTON, TEXAS 77042
(713) 914-0888 FAX (713) 914-0886

MECHANICAL, ELECTRICAL
PLUMBING ENGINEERS

LEVINSON ALCOSER ASSOCIATES, L.P.
1177 WEST LOOP SOUTH, SUITE 900, HOUSTON, TEXAS 77027
(713) 787-0000 FAX (713) 850-8250

LABORATORY
CONSULTANTS



LIST OF DRAWINGS

COVER SHEET AND INDEX OF DRAWINGS
A0.01 SYMBOLS, TABLE OF CONTENTS, & GENERAL INFORMATION
A0.02 CODE COMPLIANCE & GENERAL NOTES
A0.03 ADA ARCHITECTURAL BARRIER REMOVAL AND COMPLIANCE
A0.04 ADA ARCHITECTURAL BARRIER REMOVAL AND COMPLIANCE
A0.05 LIFE SAFETY / EGRESS PLAN
A0.06 CONSTRUCTION STAGING AND COORDINATION

ARCHITECTURAL DRAWINGS

D2.00 LEVEL 3 DEMOLITION FLOOR PLAN	A3.00 DOOR AND FRAME TYPES DOOR AND FRAME SCHEDULE
EX1.0 EXISTING SURVEY	A3.01 DOOR DETAILS
A1.00 EXISTING SITE PLAN & PARKING REQUIREMENTS	A3.02 PARTITION TYPES
A2.00 LEVEL 3 FLOOR PLAN	A3.03 MATERIAL AND FINISH SCHEDULE
A2.01 FINISH FLOOR PLAN	A3.04 PLAN DETAILS
A2.20 ENLARGED PLANS	A4.00 INTERIOR ELEVATIONS
A2.30 REFLECTED CEILING PLAN	A4.01 SCHEDULES, LEGENDS & NOTES
A2.31 ENLARGED REFLECTED CEILING PLAN CEILING DETAILS	A4.02 LAB CASEWORK ELEVATIONS

MECHANICAL DRAWINGS

M1.31 LEVEL 3 MECHANICAL PLAN
M2.01 LEVEL 3 ENLARGED MECHANICAL PLAN
M3.01 MECHANICAL DETAILS AND SCHEDULES

ELECTRICAL DRAWINGS

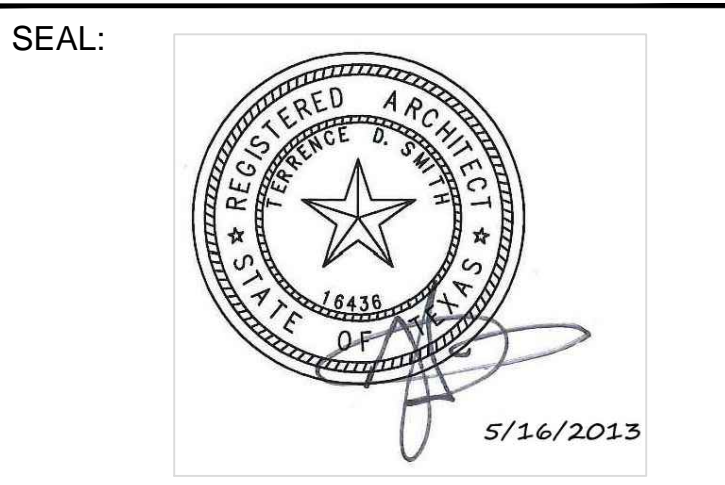
E1.01 ELECTRICAL SYMBOL LEGEND
E2.31 LEVEL 3 ENLARGED ELECTRICAL PLAN
E3.01 ELECTRICAL DETAILS & SCHEDULES
E4.01 ELECTRICAL DETAILS & SCHEDULES
EP1.31 LEVEL 3 POWER PLAN
EL1.31 LEVEL 3 LIGHTING PLAN

PLUMBING DRAWINGS

P1.31 LEVEL 3 PLUMBING PLAN
P1.32 LEVEL 3 PLUMBING PLAN
P3.01 PLUMBING DETAILS
P3.02 PLUMBING DETAILS

NO.	DATE	DESCRIPTION
△	5-16-2013	ADDENDUM 2

SMITH & COMPANY
ARCHITECTS
1500 MCGOWEN ST. SUITE 150
HOUSTON, TEXAS 77004
PHONE: 713-524-4202
FAX: 713-524-4071
www.sc-arch.com



PROJECT NAME :
**SE CAMPUS
WORK FORCE BUILDING
LEVEL 3 RENOVATION
HOUSTON COMMUNITY COLLEGE**
6815 RUSTIC AVE.,
HOUSTON, TX 77087



KEY MAP:

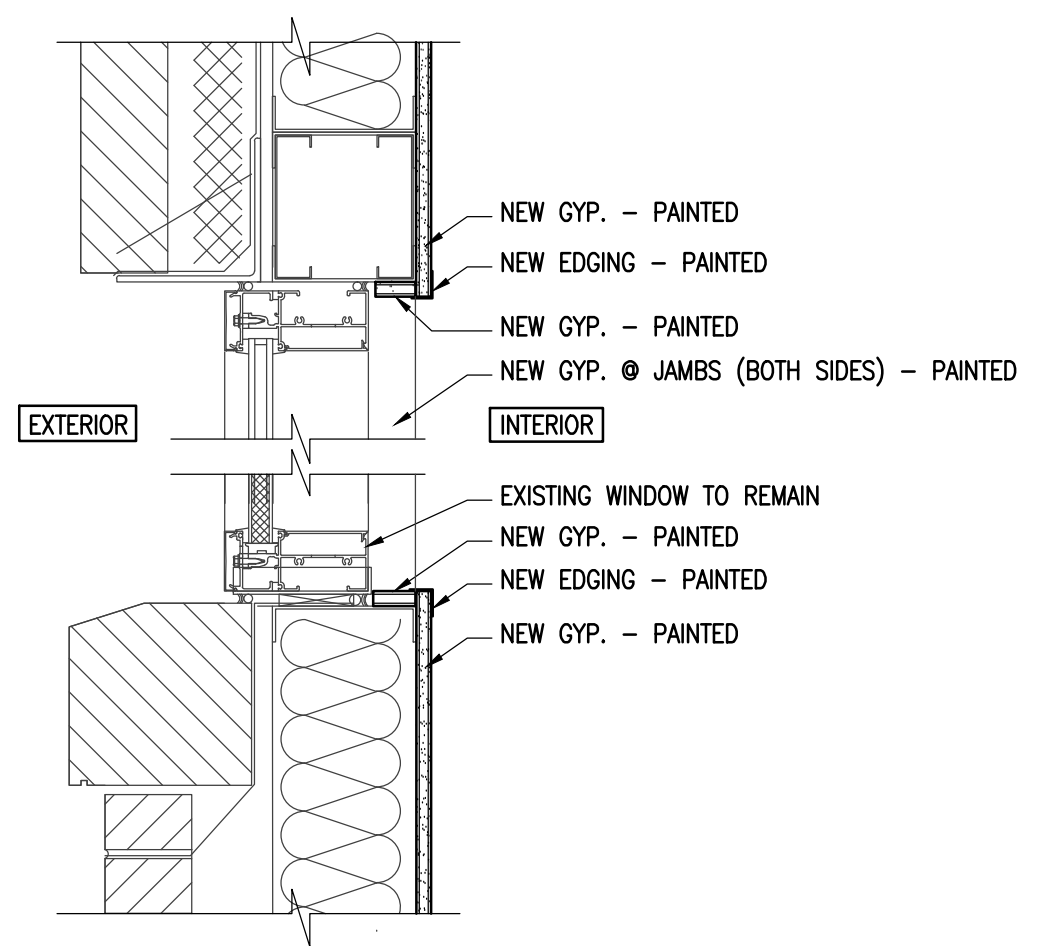
REVIEWED:
PROJECT MANAGER _____ SPONSORING DEPARTMENT _____
PROJECT MANAGER _____

CONSULTANT(S):

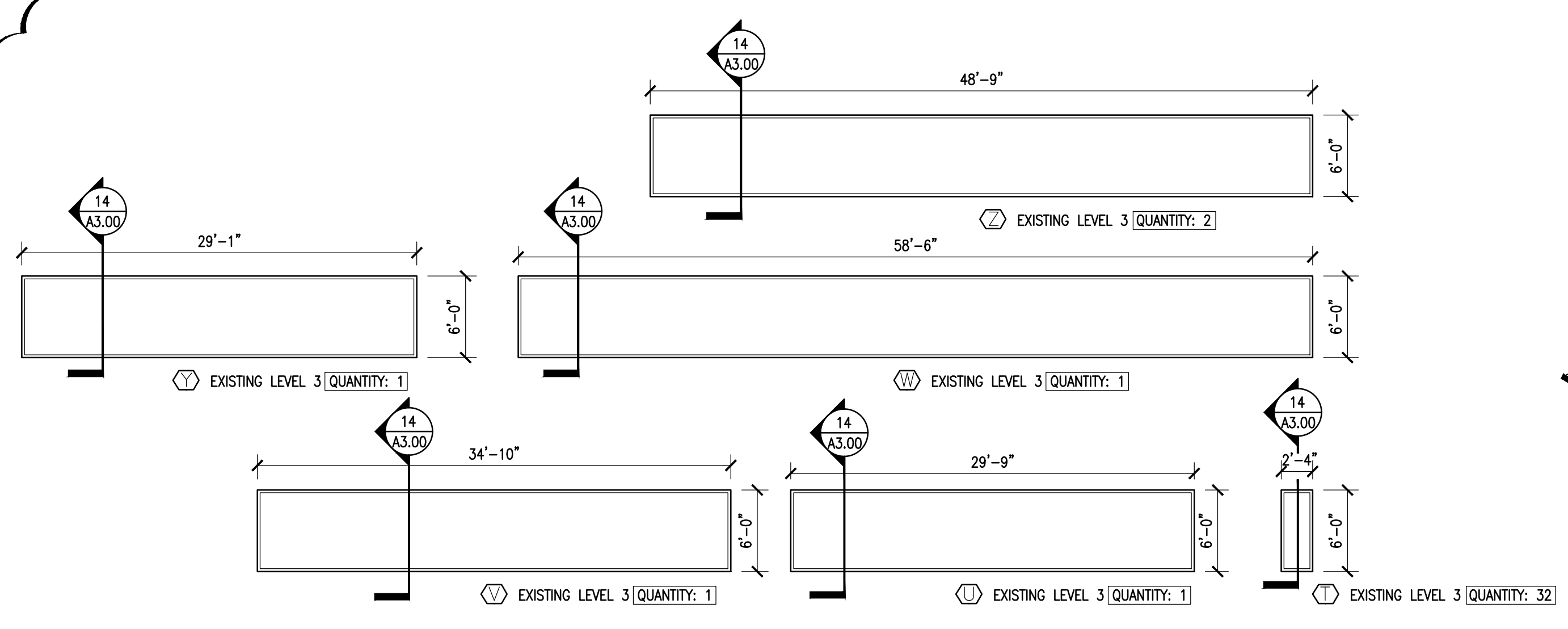
DATE : APRIL 22, 2013
PROJECT NO.: R060112
SCALE :
DRAWN BY : JAW
CHECKED BY : TDS

SHEET TITLE :
DOOR AND FRAME TYPES
**DOOR AND FRAME
SCHEDULED**

SHEET NO. :
A3.00



TYP. EXISTING EXTERIOR WINDOW DETAIL 1 1/2"=1'-0" 14



EXISTING EXTERIOR WINDOW TYPES - SHOWN FOR INFORMATION ONLY (NOT IN SCOPE) NO SCALE 13

ROOM NAME	DOOR NUMBER	DOOR WIDTH	DOOR HEIGHT	THICK	TYPE	MATL.	FRAME TYPE	MATL.	HEAD	JAMB	THRESHOLD	FIRE RATING	HOWE SET	REMARKS
STAIR 101	301	---	---	---	---	---	---	---	---	---	---	45	---	EXISTING DOOR
CENTER FOR ENTR.	302A	6'-0"	7'-10"	1 3/4"	D1	ALUM	5	ALUM	1/A3.01	---	3B/A3.01	45	---	EXISTING DOOR
CENTER FOR ENTR.	302B	3'-0"	7'-10"	1 3/4"	E1	ALUM	4	ALUM	1/A3.01	2/A3.01	3B/A3.01	45	---	AUTOMATIC OPENER / SELF CLOSER
CENTER FOR ENTR.	302C	3'-0"	7'-10"	1 3/4"	E1	ALUM	4	ALUM	1/A3.01	2/A3.01	3A/A3.01	45	---	---
CENTER FOR ENTR.	302D	3'-0"	7'-10"	1 3/4"	E1	ALUM	4	ALUM	1/A3.01	2/A3.01	3B/A3.01	45	---	---
CENTER FOR ENTR.	302E	3'-0"	7'-10"	1 3/4"	C1	ALUM	1	ALUM	1/A3.01	2/A3.01	3A/A3.01	45	---	SELF CLOSER
STORAGE	304	6'-0"	7'-10"	1 3/4"	F1	WD	1	HM	6/A3.01	7/A3.01	3B/A3.01	45	---	---
COMPUTER CLASS RM.	305A	3'-0"	7'-10"	1 3/4"	C1	WD	2	HM	6/A3.01	7/A3.01	3B/A3.01	45	---	---
COMPUTER CLASS RM.	305B	3'-0"	7'-10"	1 3/4"	C1	WD	1	HM	6/A3.01	7/A3.01	3A/A3.01	45	---	---
CORRIDOR 307B	307B	---	---	---	---	---	---	---	6/A3.01	7/A3.01	3A/A3.01	45	---	REUSE EXISTING DOOR
STAIR 108	308	---	---	---	---	---	---	---	---	---	---	45	---	EXISTING DOOR
LOGISTICS CLASS RM.	309	3'-0"	7'-10"	1 3/4"	C1	WD	2	HM	6/A3.01	7/A3.01	3A/A3.01	45	---	---
CONFERENCE RM.	310	3'-0"	7'-10"	1 3/4"	A1	WD	3	ALUM	1/A3.01	2/A3.01	3B/A3.01	45	---	---
RECEPTION	311	3'-0"	7'-10"	1 3/4"	E1	ALUM	3	ALUM	1/A3.01	2/A3.01	3B/A3.01	45	---	---
OFFICE 312	312	3'-0"	7'-10"	1 3/4"	A1	WD	3	ALUM	1/A3.01	2/A3.01	3A/A3.01	45	---	---
OFFICE 313	313A	3'-0"	7'-10"	1 3/4"	A1	WD	3	ALUM	1/A3.01	2/A3.01	3A/A3.01	45	---	---
OFFICE 313	313B	3'-0"	7'-10"	1 3/4"	A1	WD	3	ALUM	1/A3.01	2/A3.01	3A/A3.01	45	---	---
CORRIDOR	317	---	---	---	---	---	---	---	---	---	---	---	---	EXISTING DOOR
CLASS RM.	319	3'-0"	7'-10"	1 3/4"	C1	WD	2	HM	6/A3.01	7/A3.01	3A/A3.01	45	---	---
ELECTRICITY CLASS RM.	320	4'-0"	7'-10"	1 3/4"	C1	WD	2	HM	6/A3.01	7/A3.01	3A/A3.01	45	---	---
CORROSION COMPUTER	321	3'-0"	7'-10"	1 3/4"	C1	WD	1	HM	6/A3.01	7/A3.01	3B/A3.01	45	---	---
STORAGE	323	3'-0"	7'-10"	1 3/4"	B1	WD	1	HM	6/A3.01	7/A3.01	3A/A3.01	45	---	---
STORAGE	324	3'-0"	7'-10"	1 3/4"	B1	WD	1	HM	6/A3.01	7/A3.01	3A/A3.01	45	---	---
JANITORS CLOSET	325	3'-0"	7'-10"	1 3/4"	B1	WD	1	HM	6/A3.01	7/A3.01	3A/A3.01	45	---	---
I.T. / A.V.	326	---	---	---	---	---	---	---	---	---	---	---	---	EXISTING DOOR
MECHANICAL	327A	---	---	---	---	---	---	---	---	---	---	---	---	EXISTING DOOR
MECHANICAL	327B	---	---	---	---	---	---	---	---	---	---	---	---	EXISTING DOOR
WOMENS TOILET ROOM	328	---	---	---	---	---	---	---	---	---	---	---	---	EXISTING DOOR
MENS TOILET ROOM	329	---	---	---	---	---	---	---	---	---	---	---	---	EXISTING DOOR
CORRIDOR 330	330	---	---	---	---	---	---	---	---	---	---	---	---	EXISTING DOOR
STAIR 131	331	---	---	---	---	---	---	---	---	---	---	45	---	EXISTING DOOR
CORROSION LAB	333A	4'-0"	7'-10"	1 3/4"	LD1	WD	1	HM	6/A3.01	7/A3.01	3A/A3.01	45	---	---
SAMPLE PREP	333B	4'-0"	7'-10"	1 3/4"	LD1	WD	1	HM	6/A3.01	7/A3.01	3A/A3.01	45	---	---
MENS TOILET ROOM	334	3'-0"	7'-10"	1 3/4"	A1	WD	1	HM	6/A3.01	7/A3.01	3C/A3.01	45	---	---
WOMENS TOILET ROOM	335	3'-0"	7'-10"	1 3/4"	A1	WD	1	HM	6/A3.01	7/A3.01	3C/A3.01	45	---	---

DOOR AND FRAME SCHEDULE - LEVEL 3 WORK FORCE BUILDING NO SCALE 11

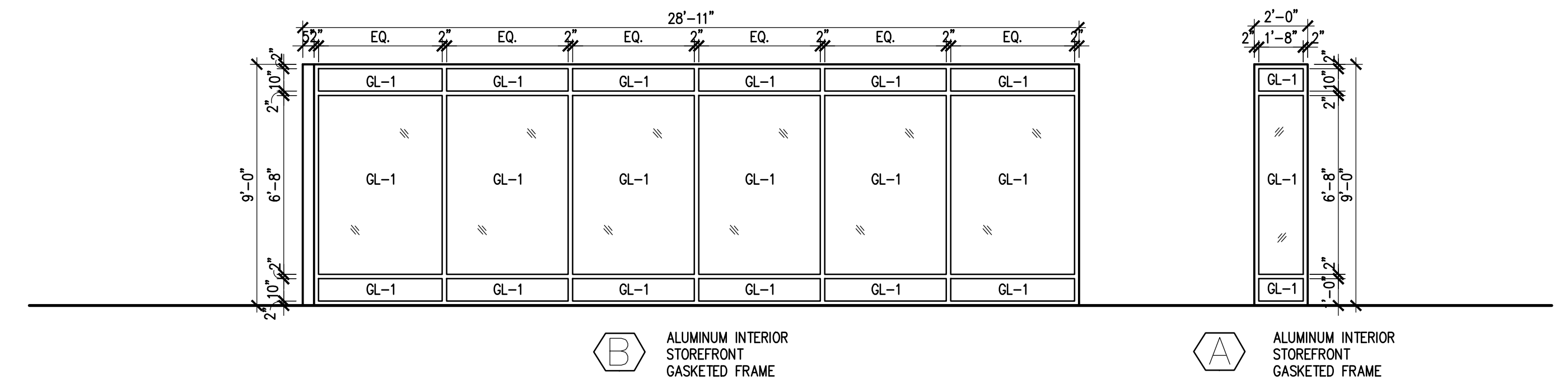
GLAZING SCHEDULE

- GL-1 - 1/2" CLEAR FLOAT GLASS
 - ALL INTERIOR GLASS TO BE TEMPERED
 - FIRE RATED WHERE USED IN RATED DOOR ASSEMBLY
- GL-2 - 3/8" CLEAR FLOAT GLASS
 - TEMPERED WHERE REQUIRED BY CODE
 - ALL INTERIOR GLASS TO BE TEMPERED
 - FIRE RATED WHERE USED IN RATED DOOR ASSEMBLY

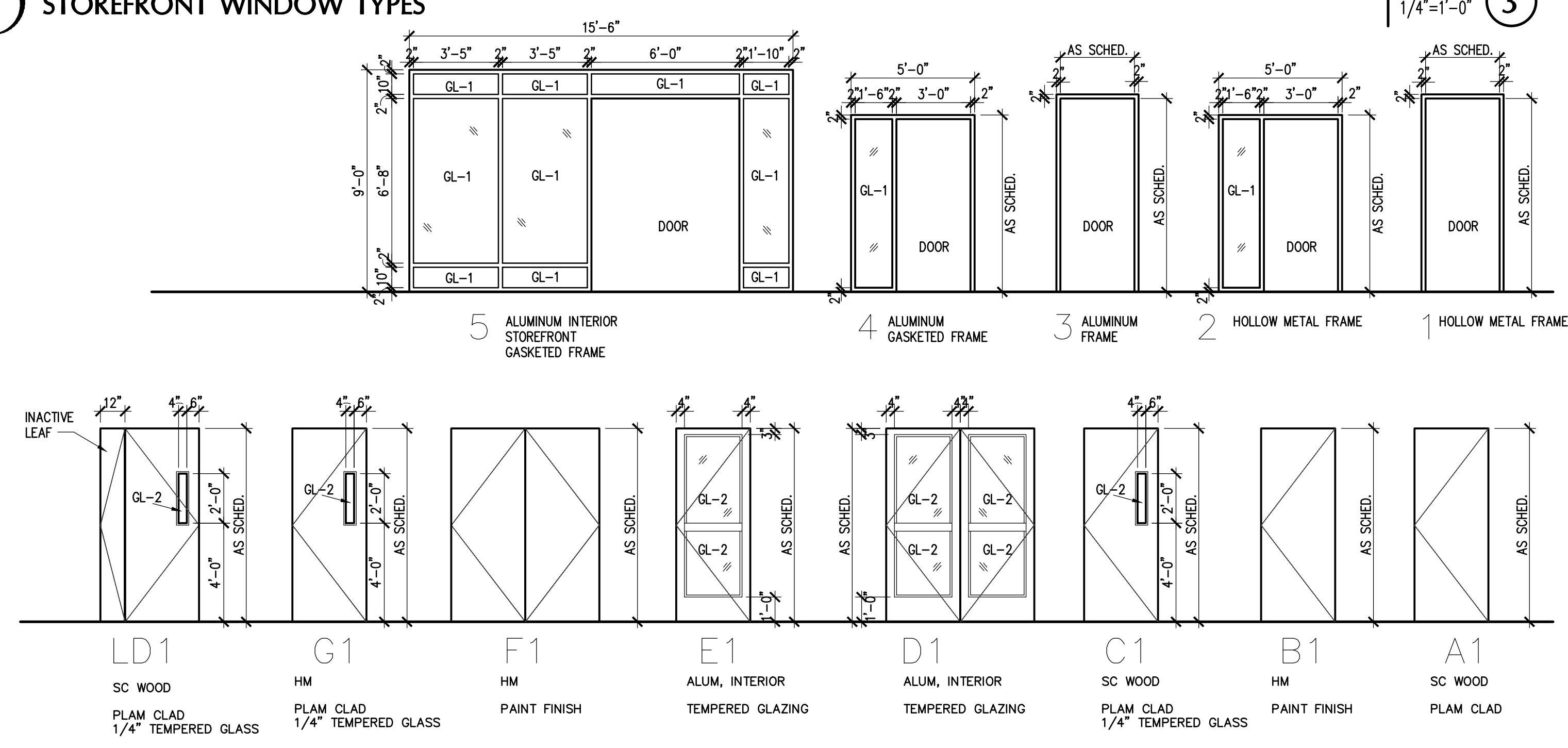
- WD WOOD
- ALUM ALUMINUM
- HM HOLLOW METAL
- SC SOLID CORE WOOD

GLAZING SCHEDULE NO SCALE 8

MATERIAL ABBREVIATIONS NO SCALE 4



STOREFRONT WINDOW TYPES 1/4"=1'-0" 3



DOOR AND FRAME TYPES - LEVEL 3 WORK FORCE BUILDING NO SCALE 11

DOOR AND FRAME TYPES - LEVEL 3 WORK FORCE BUILDING 1/4"=1'-0" 1

ADDENDUM NO. 2

DATE: May 16th 2013
PROJECT: Workforce Building 3rd Level Build Out
LOCATION: 6815 Rustic Ave. Houston, Texas 77087
PROJECT NO.
DISTRIBUTION:
DELIVERED VIA:
NO. PAGES: 1
PREPARED BY: Smith & Company Architects, Inc



05/16/2013

This addendum forms a part of the Specifications for the Workforce Building 3rd Level Build Out for Houston Community College, documents posted on April 22, 2013 for the subject project and modifies/add to them as noted below.

CHANGES TO PROJECT MANUAL

SPECIFICATIONS

1. Section 102113 TOILET COMPARTMENTS, dated April 22, 2013 replace the section with the attached section, dated May 16, 2013.

CHANGES TO DRAWINGS

1. Sheet A2.20-Enlarged plans- add and install the following Chemical Storage cabinets, Qty 1 Cabinet, in Prep Lab 333B. (Location in room to be determined).
 - Mott Manufacturing (or approved equal)
 - Vented Solvent Storage Unit – Model No. 6453160 -36” X 54”
 - With self closing / latching doors
 - With vent ports on cabinet side(s)

END OF ADDENDUM NO. 2